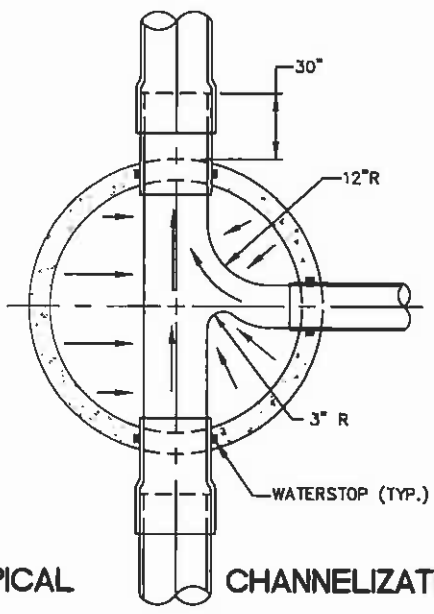



- ① FRAME AND COVER, D & L SUPPLY 1024 MARKED "STORM DRAIN" WITH PICK HOLE.
- ② CLASS "A" CONCRETE COLLAR WITH 2" AC.
- ③ STANDARD TWENTY FOUR (24) INCH DIAMETER MANHOLE GRADE RINGS, THREE (3) INCH MINIMUM, EIGHTEEN (18) INCH MAXIMUM NECK HEIGHT FROM CONE TO FINISH GRADE.
- ④ STANDARD FORTY EIGHT (48) INCH ECCENTRIC MANHOLE REDUCER CONE. COPOLYMER POLYPROPYLENE STEPS REQUIRED @ 12" O.C. FOR MANHOLES DEEPER THAN THREE (3) FEET.
- ⑤ STANDARD FORTY EIGHT (48) INCH DIAMETER MANHOLE BARREL SECTION, CONFORMING TO ASTM C478 - LATEST REVISION, WITH FOUR (4) INCH MINIMUM WALL THICKNESS. COPOLYMER POLYPROPYLENE STEPS REQUIRED FOR MANHOLES MORE THAN THREE (3) FEET DEEP.
- ⑥ CLASS "A", CAST-IN-PLACE OR PRECAST CONCRETE BASE.
- ⑦ SIX (6) INCHES MINIMUM, 3/4 INCH CRUSHED ROCK PER ASTM D448 #67.
- ⑧ UNDISTURBED SOIL.
- ⑨ MANHOLES DEEPER THAN SEVEN (7) FEET (INVERT TO FINISHED GRADE) SHALL HAVE #4 REBAR TWELVE (12) INCHES ON CENTER, EACH WAY, IN CAST IN PLACE MANHOLE BASE.
- ⑩ FOUR (4) INCHES PER FOOT MINIMUM SLOPE.



**NOTES:**

- A. COUNTRY OF ORIGIN SHALL BE CLEARLY AND PERMANENTLY SHOWN ON TOP SURFACE OF THE FRAME AND COVER IN ACCORDANCE WITH THE TRADE AND TARIFF ACT OF 1984.
- B. DATE OF MANUFACTURE SHALL BE CLEARLY AND PERMANENTLY INDICATED ON THE COVER AND THE TOP OF THE FRAME.
- C. SEATING SURFACE SHALL BE CLOSELY MACHINED TO NOMINAL DIMENSIONS WITH TOLERANCES NOT TO EXCEED ±1/64 INCH.
- D. THE WEIGHT OF THE FRAME SHALL BE 140lbs., ±10lbs.
- E. THE WEIGHT OF THE COVER SHALL BE 130lbs., ±5lbs.
- F. THE STORM DRAIN MANHOLE SHALL NOT BE USED ON STORM DRAIN CONDUIT GREATER THAN 36 INCHES IN DIAMETER.

THE CITY OF WEST SACRAMENTO — STANDARD DETAIL

APPROVED BY:  CITY ENGINEER	C-38733 P.E. NO.	3/31/05 DATE
REVISION:		
REVISION:		
REVISION:		
REVISION:		

TITLE:  
**STORM DRAIN  
MANHOLE**

STANDARD  
DETAIL #: 302

